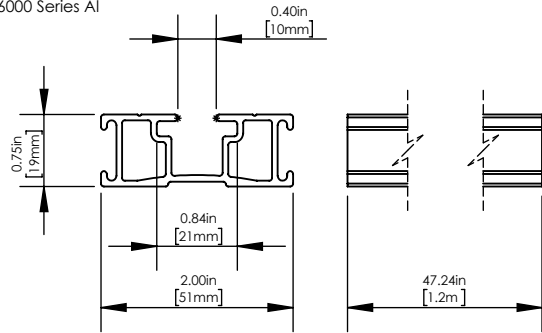


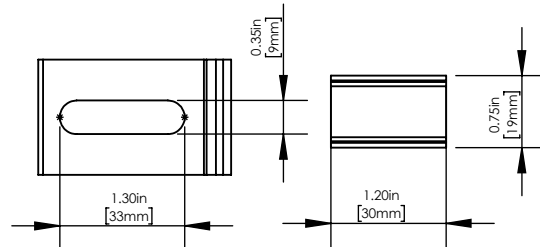
GRipperFix Rail

6000 Series Al



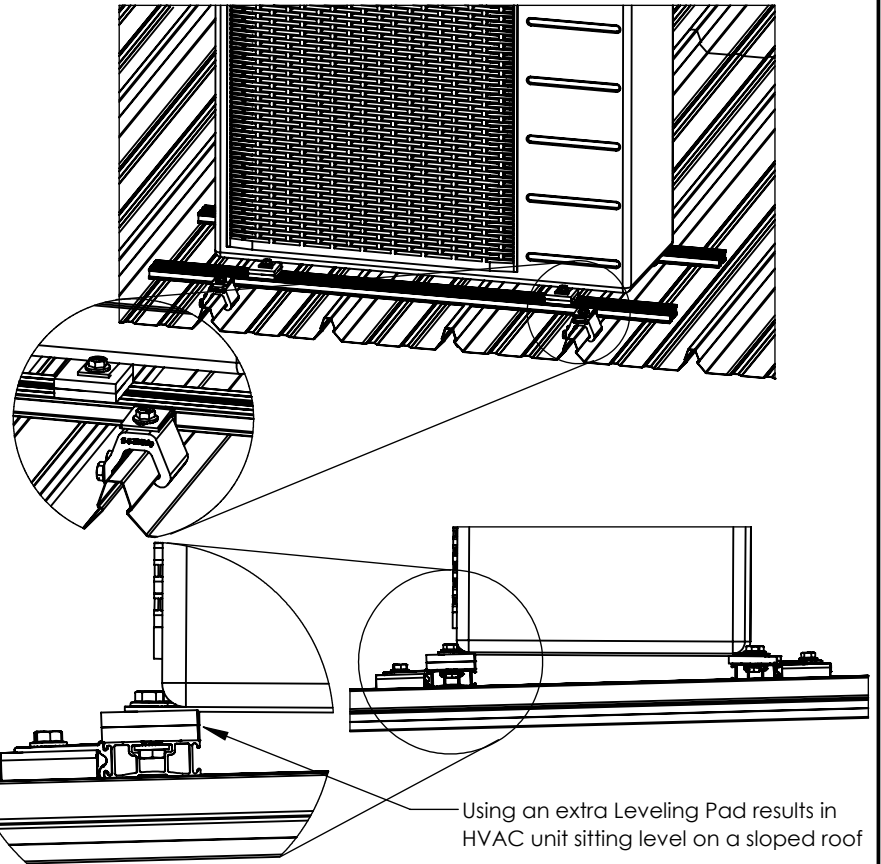
S-5-Tab CF

6000 Series Al



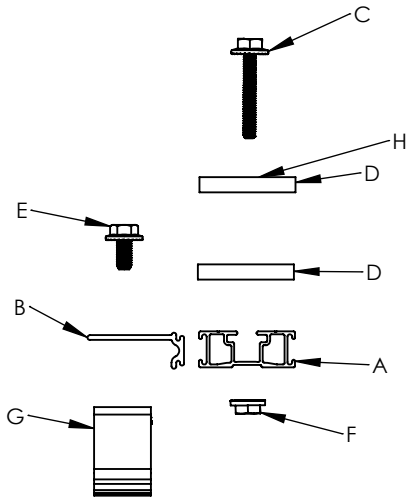
M8-1.25 x 40mm Bolt
300 Series SS

Below images are varying scales

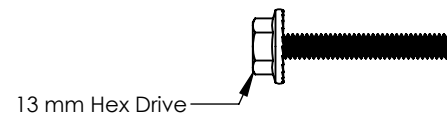


Assembly

SCALE 1:4

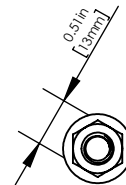


- A. GRipperFix Rail
- B. S-5-Tab CF
- C. M8-1.25 x 40 mm Bolt
- D. Leveling Pad
- E. M8-1.25 Bolt*
- F. M8 Hex Flange Nut
- G. S-5! Clamp*
- H. Location of HVAC unit attachment

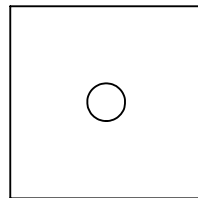


13 mm Hex Drive

M8 Hex Flange Nut
300 Series SS



Leveling Pad
EPDM



FOR STANDING SEAM SPECIFIC MECHANICAL LOAD TEST INFORMATION AND CLAMP INSTALLATION INFORMATION PLEASE VISIT: WWW.S-5.COM

MATERIAL:	 METAL ROOF INNOVATIONS, LTD. 8655 TABLE BUTTE RD COLORADO SPRINGS, CO 80908 719-495-0518 719-495-0045(FAX)		
EST ASSEMBLY WEIGHT:			
SUPPLIED HARDWARE:	TITLE GRipperFix (Concealed Fix)		
SCALE: 1:2	DRAWING NO.	DRAWN BY Jesse Winternitz	DATE 6/6/2018
WEIGHTS: Clamp: Setscrew: Bolt:	S-5!® PRODUCTS ARE PROTECTED BY MULTIPLE U.S. PATENTS INCLUDING 5,228,248, 5,983,588 AND 6,164,033 (OTHERS ISSUED AND PENDING). EUROPEAN PATENTS ARE ALSO APPLIED FOR AND PENDING UNDER THE PATENT COOPERATION TREATY WITH DIVISIONAL FILING RIGHTS RETAINED. METAL ROOF INNOVATIONS, LTD. (LICENSOR OF S-5!® TECHNOLOGY) AGGRESSIVELY PROSECUTES PATENT INFRINGEMENT.		

*S-5! Clamp and M8-1.25 Bolt shown for instructional purpose only. They are sold separately from GRipperFix