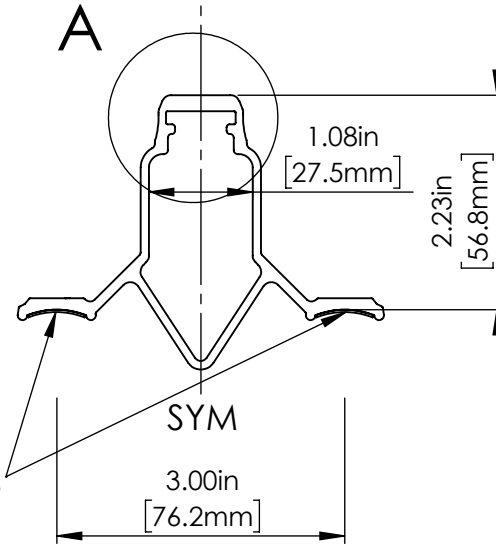
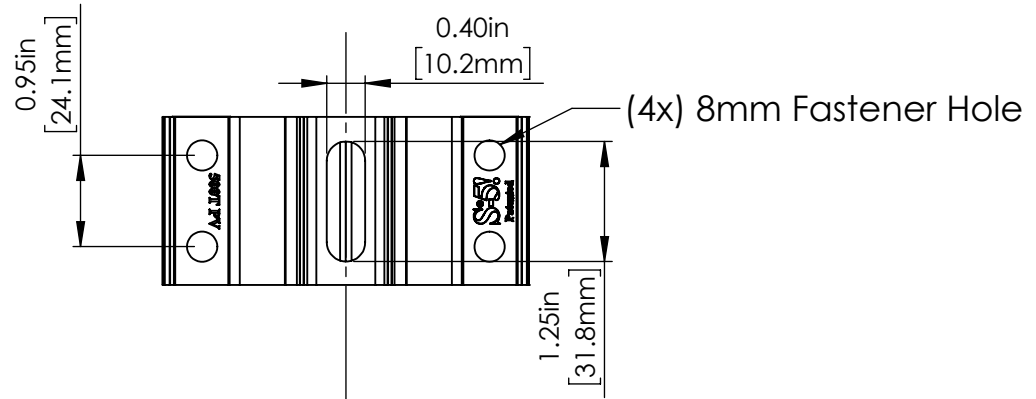
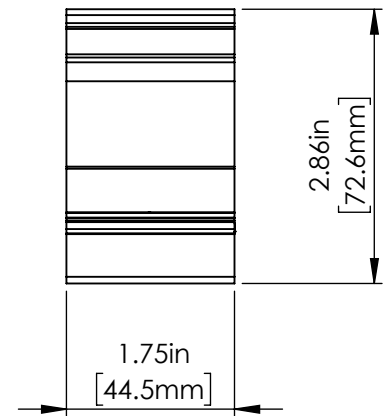


DETAIL A
SCALE 1 : 1

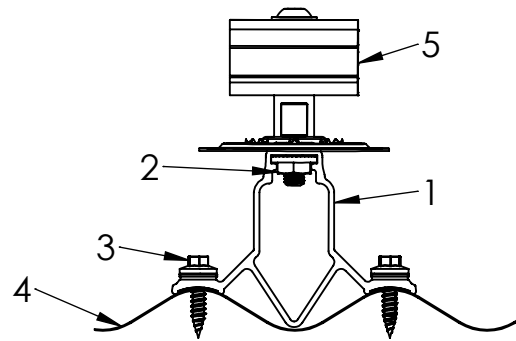


Factory applied EPDM




General Notes:

1. CorruBracket 500T PV
2. M8 Hex Flange Nut
3. 1" Self Tapping Screw
4. Metal Roof Exmple
5. PV Kit 2.0



FOR STANDING SEAM SPECIFIC MECHANICAL LOAD TEST INFORMATION AND CLAMP INSTALLATION INFORMATION PLEASE VISIT: WWW.S-5.COM

MATERIAL: 6000 Series AL				METAL ROOF INNOVATIONS, LTD. 8655 TABLE BUTTE RD COLORADO SPRINGS, CO 80908 719-495-0518 719-495-0045(FAX)		
EST BRACKET WEIGHT 68.1 g						
SUPPLIED HARDWARE: (4x) 1" Self Tapping Screw M8 Hex Flange Nut	TITLE CorruBract 500T PV CCD					
SCALE: 1:2	DRAWING NO. AUCBTFPV-A-0-C	DRAWN BY JW	DATE 11/7/2019			
WEIGHTS: S-5!® PRODUCTS ARE PROTECTED BY MULTIPLE U.S. PATENTS INCLUDING 5,228,248, 5,983,588 AND 6,164,033 (OTHERS ISSUED AND PENDING). EUROPEAN PATENTS ARE ALSO APPLIED FOR AND PENDING UNDER THE PATENT COOPERATION TREATY WITH DIVISIONAL FILING RIGHTS RETAINED. METAL ROOF INNOVATIONS, LTD. (LICENSOR OF S-5!® TECHNOLOGY) AGGRESSIVELY PROSECUTES PATENT INFRINGEMENT.						