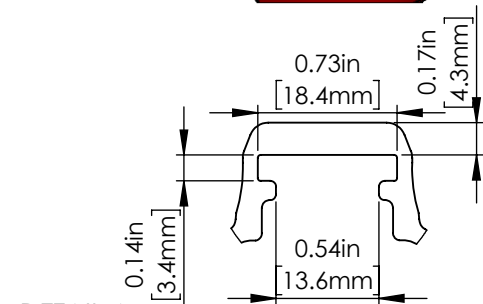
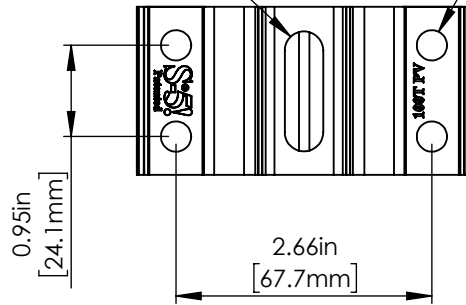
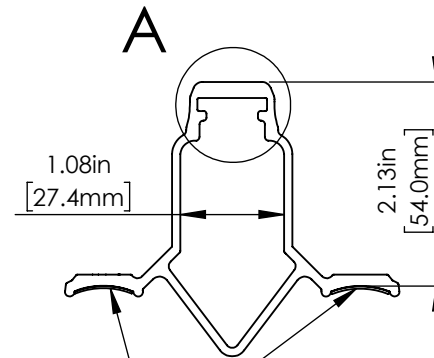


0.40" x 1.25" Slotted Hole

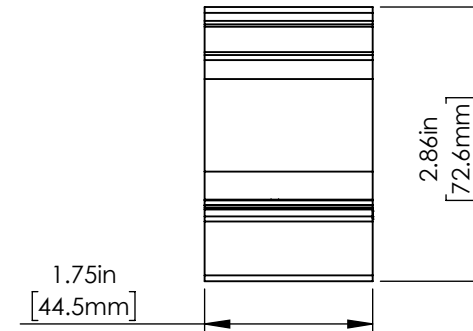
(4x) Fastener Holes
0.25" Diam. [6.35mm]



DETAIL A
SCALE 1 : 1



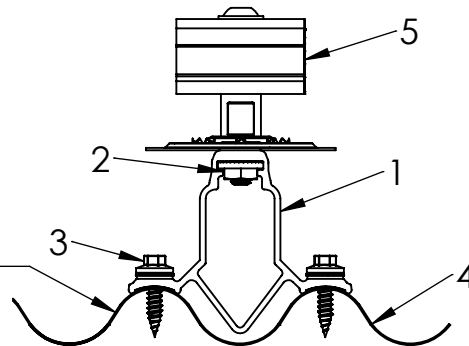
Factory Applied EPDM




General Notes:

1. CorruBracket 100T PV
2. M8 Hex Flange Nut
3. 1" Self Tapping Screw
4. Metal Roof Example
5. PV Kit 2.0

Corrugation Height:
3/4" to 7/8"



**FOR STANDING SEAM SPECIFIC MECHANICAL LOAD TEST
INFORMATION AND CLAMP INSTALLATION INFORMATION
PLEASE VISIT: WWW.S-5.COM**

MATERIAL: 6000 Series AL			METAL ROOF INNOVATIONS, LTD. 8655 TABLE BUTTE RD COLORADO SPRINGS, CO 80908 719-495-0518 719-495-0045(FAX)	
BRACKET WEIGHT 0.16 lbs			TITLE CorruBracket 100T PV	
SUPPLIED HARDWARE: M8 Hex Flange Nut (4x) 1" Self Tapping Screw	DRAWING NO. USCBTFPV-A-0-D		DRAWN BY JW	DATE 10/1/2020
SCALE: 1:2	<small>S-5!® PRODUCTS ARE PROTECTED BY MULTIPLE U.S. PATENTS INCLUDING 5,228,248, 5,983,588 AND 6,164,033 (OTHERS ISSUED AND PENDING). EUROPEAN PATENTS ARE ALSO APPLIED FOR AND PENDING UNDER THE PATENT COOPERATION TREATY WITH DIVISIONAL FILING RIGHTS RETAINED. METAL ROOF INNOVATIONS, LTD. (LICENSOR OF S-5!® TECHNOLOGY) AGGRESSIVELY PROSECUTES PATENT INFRINGEMENT.</small>			