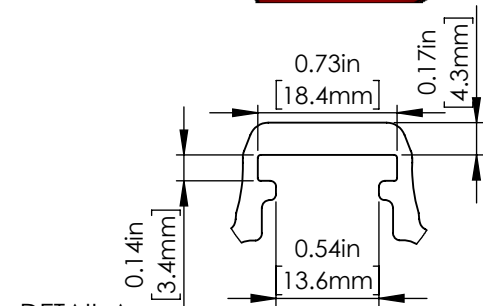
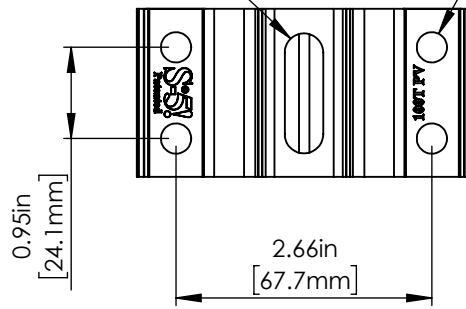
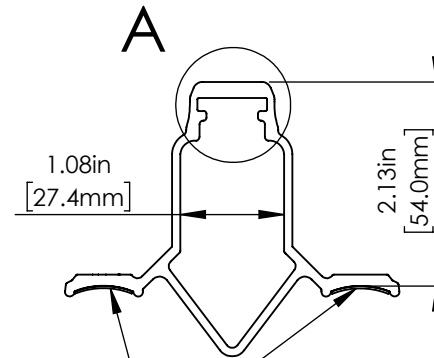


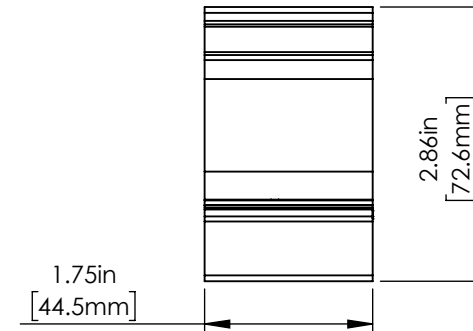
0.40" x 1.25" Slotted Hole (4x) 8mm Fastener Holes



DETAIL A
SCALE 1 : 1

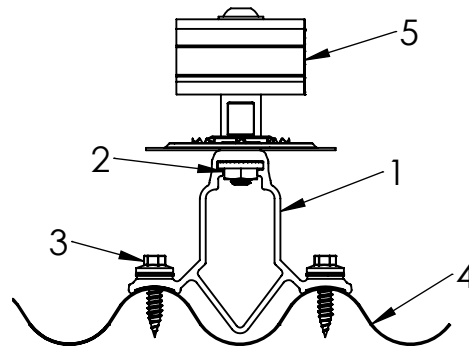


Factory Applied EPDM




General Notes:

1. CorruBracket 100T PV
2. M8 Hex Flange Nut
3. 1" Self Tapping Screw
4. Metal Roof Example
5. PV Kit 2.0



FOR STANDING SEAM SPECIFIC MECHANICAL LOAD TEST INFORMATION AND CLAMP INSTALLATION INFORMATION PLEASE VISIT: WWW.S-5.COM

MATERIAL: 6000 Series AL				METAL ROOF INNOVATIONS, LTD. 8655 TABLE BUTTE RD COLORADO SPRINGS, CO 80908 719-495-0518 719-495-0045(FAX)	
BRACKET WEIGHT 0.16 lbs				TITLE CorruBracket 100T PV	
SUPPLIED HARDWARE: M8 Hex Flange Nut (4x) 1" Self Tapping Screw	DRAWING NO.	USCBTFPV-A-0-C	DRAWN BY	JW	DATE
SCALE: 1:2					11/7/2019
WEIGHTS:	S-5® PRODUCTS ARE PROTECTED BY MULTIPLE U.S. PATENTS INCLUDING 5,228,248, 5,983,588 AND 6,164,033 (OTHERS ISSUED AND PENDING). EUROPEAN PATENTS ARE ALSO APPLIED FOR AND PENDING UNDER THE PATENT COOPERATION TREATY WITH DIVISIONAL FILING RIGHTS RETAINED. METAL ROOF INNOVATIONS, LTD. (LICENSOR OF S-5!® TECHNOLOGY) AGGRESSIVELY PROSECUTES PATENT INFRINGEMENT.				