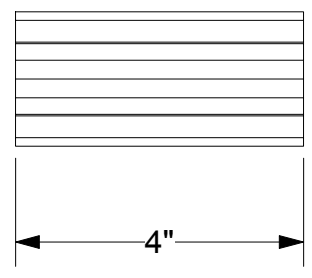
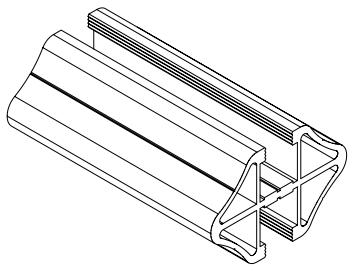
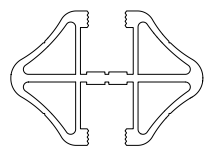
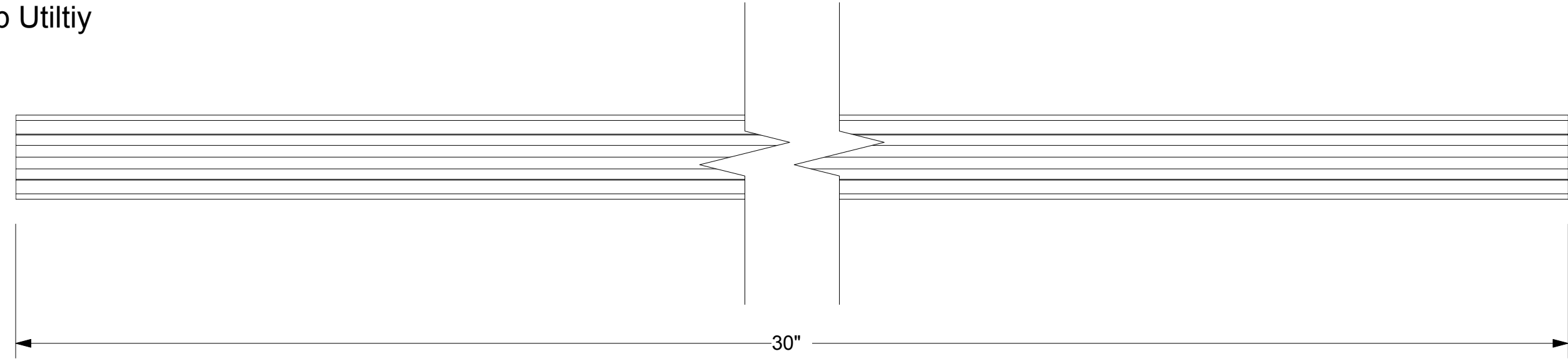
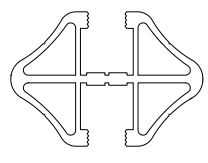


DGUS-A-2-A  
27" DualGrip Utility



DGUS-A-4-A  
3" DualGrip Utility



**NOTES:**

DualGrip Utility Strut accepts a 3/8 or M8 square nut for ancillary attachment.

- \* M8-1.25 square nuts and M8-1.25 x 16mm bolts **SOLD SEPARATELY**
- \* 3/8 square nut and bolt **SUPPLIED BY OTHERS**

MATERIAL: <b>6000 Series AL</b>	 <p><b>S-5!</b> The Right Way!</p>	METAL ROOF INNOVATIONS, LTD. 8655 TABLE BUTTE RD COLORADO SPRINGS, CO 80908 719-495-0518 719-495-0045 (FAX)	
EST ASSEMBLY WEIGHT : <b>.62 lbs/ft</b>		TITLE Dual Grip Utility Strut	
SUPPLIED HARDWARE: NA NA	DRAWING NO. DGUS-A CCD	DRAWN BY DMMH	DATE 04/07/2014
SCALE: <b>NTS</b>	<small>S-5!® PRODUCTS ARE PROTECTED BY MULTIPLE U.S. PATENTS INCLUDING 5,228,248, 5,983,588 AND 6,164,033 (OTHERS ISSUED AND PENDING). EUROPEAN PATENTS ARE ALSO APPLIED FOR AND PENDING UNDER THE PATENT COOPERATION TREATY WITH DIVISIONAL FILING RIGHTS RETAINED. METAL ROOF INNOVATIONS, LTD. (LICENSOR OF S-5!® TECHNOLOGY) AGGRESSIVELY PROSECUTES PATENT INFRINGEMENT.</small>		
OTHER:			