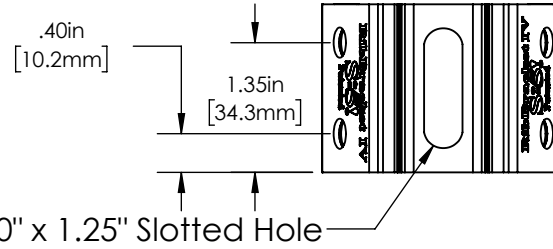
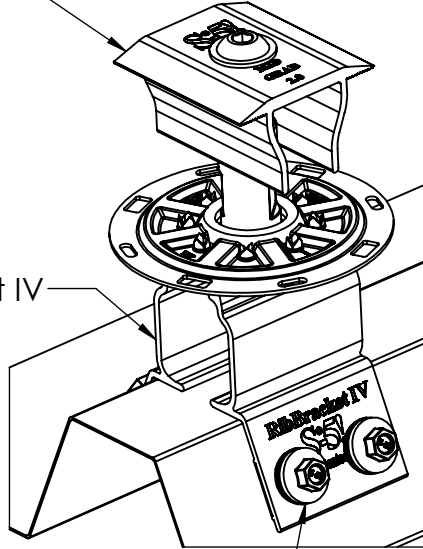


# RibBracket IV

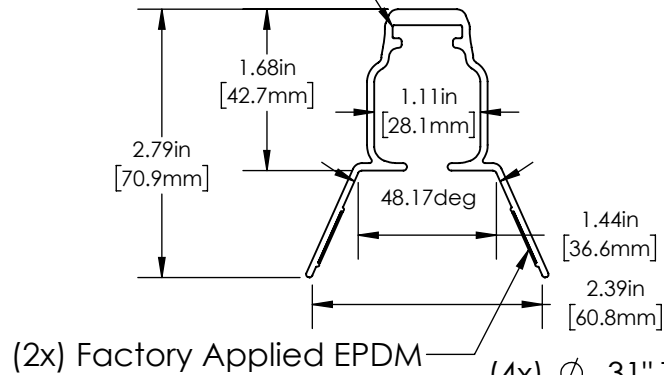
PV Kit 2.0

RibBracket IV

(4x) 1/4" Diameter 1" Length  
5/16" Hex Screw

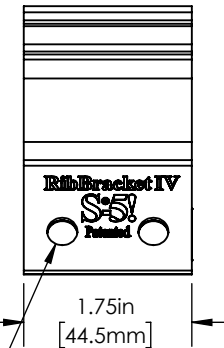
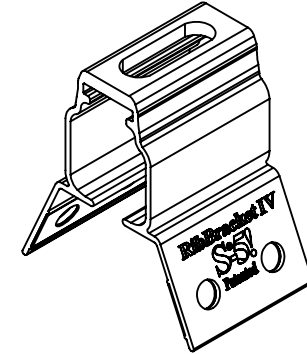


Slot for Hex Flange Nut



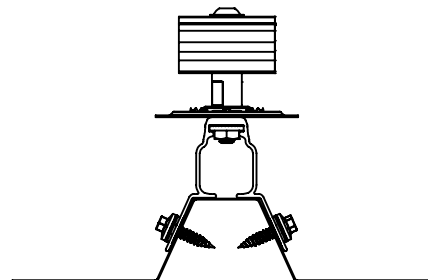
(2x) Factory Applied EPDM

(4x)  $\phi$  .31" Through Hole for Fasteners



**FOR STANDING SEAM SPECIFIC MECHANICAL LOAD TEST INFORMATION AND CLAMP INSTALLATION INFORMATION PLEASE VISIT: [WWW.S-5.COM](http://WWW.S-5.COM)**

Designed to fit popular African and North American profiles such as Safintra Tufdel IBR, KingSpan KS1000, and other similarly dimensioned profiles.



MATERIAL:	6005A T61
EST ASSEMBLY WEIGHT	0.185 lbs
SUPPLIED HARDWARE:	M8-1.25 Flange Nut (4x) 1/4"-1" Stainless Steel Self-Tapping Screw with 5/16" Hex Head
SCALE:	1:2

**S-5!**  
The Right Way!

METAL ROOF INNOVATIONS, LTD.  
8655 TABLE BUTTE RD  
COLORADO SPRINGS, CO 80908  
719-495-0518  
719-495-0045(FAX)

TITLE RibBracket IV [CCD]		
DRAWING NO.	DRAWN BY	DATE
IBR-A-0-A	Jesse Winternitz	7/1/2019
WEIGHTS: Bracket: 0.0985 lbs Screw: 0.0180 lbs Nut: 0.0145 lbs		
S-5!® PRODUCTS ARE PROTECTED BY MULTIPLE U.S. PATENTS INCLUDING 5,228,248, 5,983,588 AND 6,164,033 (OTHERS ISSUED AND PENDING). EUROPEAN PATENTS ARE ALSO APPLIED FOR AND PENDING UNDER THE PATENT COOPERATION TREATY WITH DIVISIONAL FILING RIGHTS RETAINED. METAL ROOF INNOVATIONS, LTD. (LICENSOR OF S-5!® TECHNOLOGY) AGGRESSIVELY PROSECUTES PATENT INFRINGEMENT.		