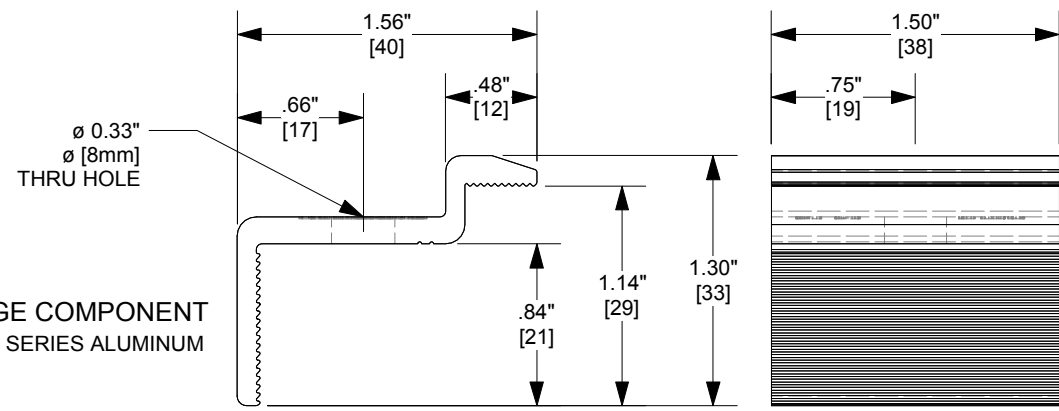
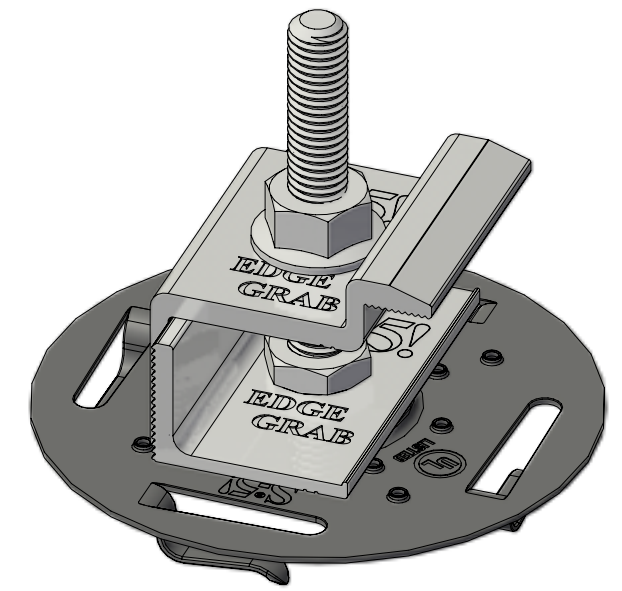
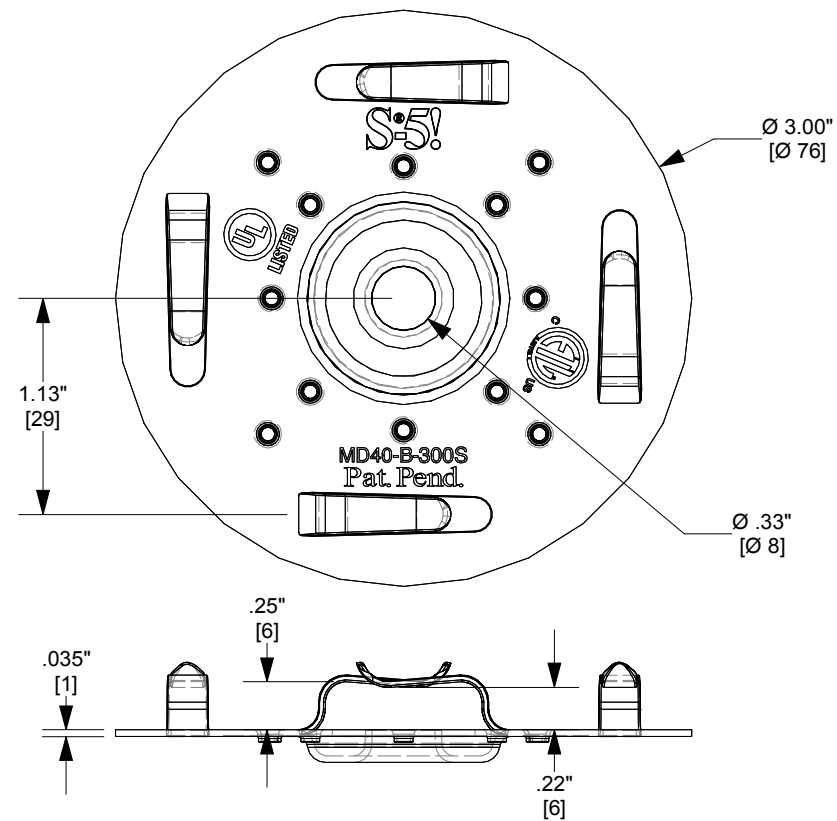
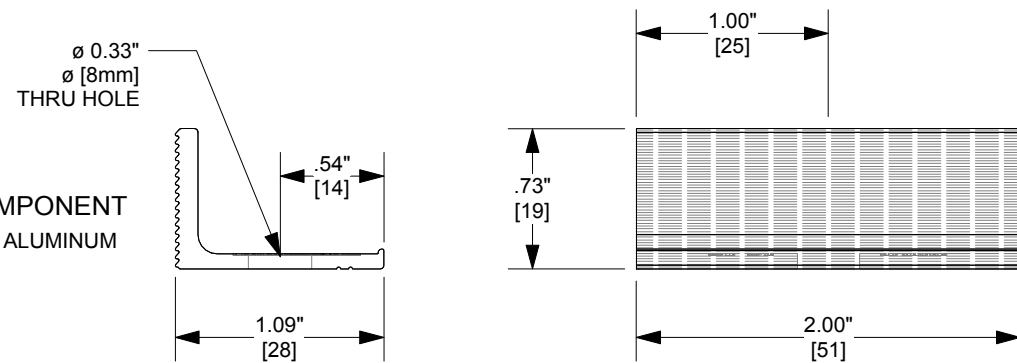


3" MOUNTING DISC  
300 SERIES STAINLESS

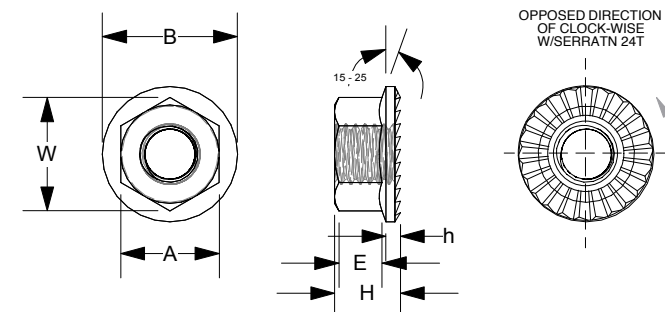
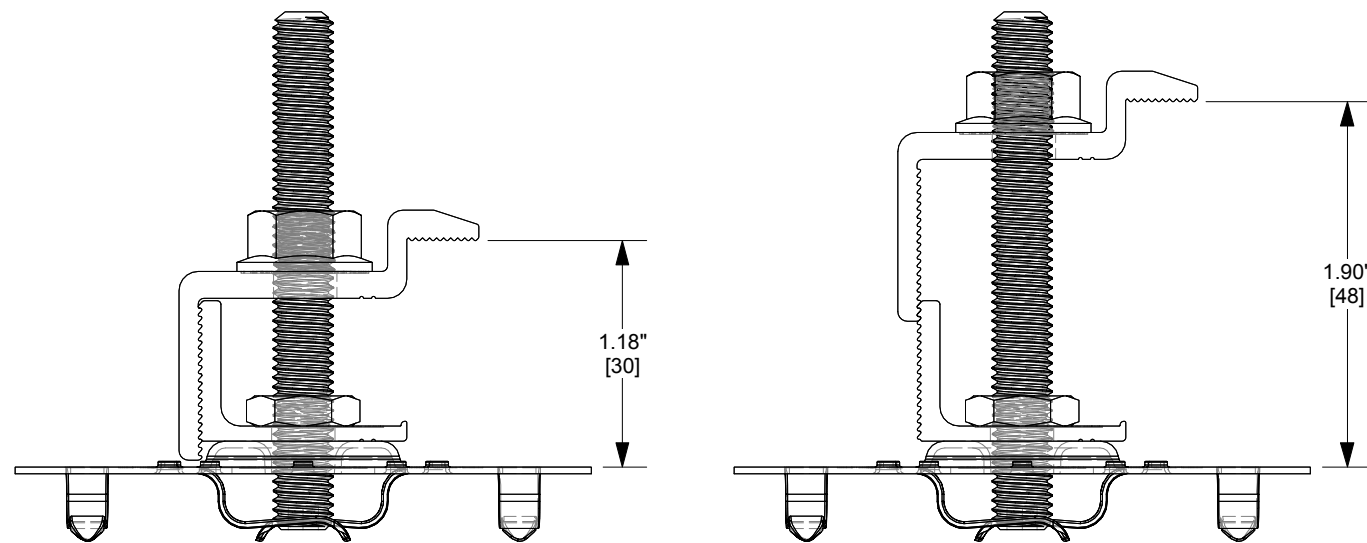


UPPER EDGE COMPONENT  
6000 SERIES ALUMINUM



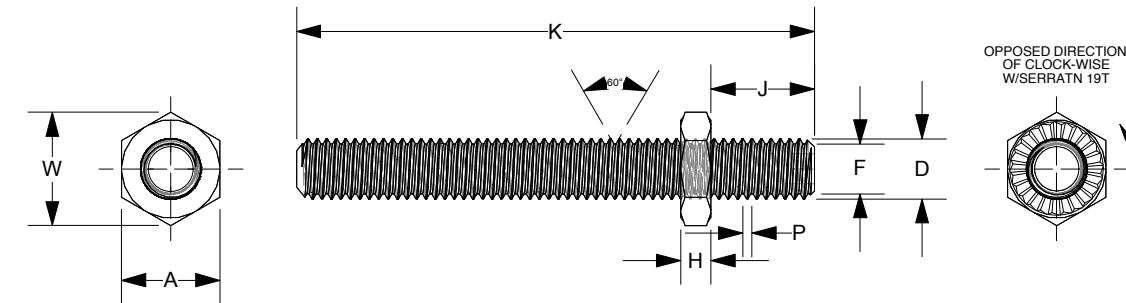
LOWER EDGE COMPONENT  
6000 SERIES ALUMINUM

EDGE ASSEMBLY CONFIGURATION (30MM - 48MM)



DETAILS	HEAD DIA.	HEAD HI	E	h	W	WASHER DIA.
SIZE	A	H	min.	min.	min.	B
M8	12.75 13.00	7.85 8.35	3.20	1.50	14.28	17.00 18.00

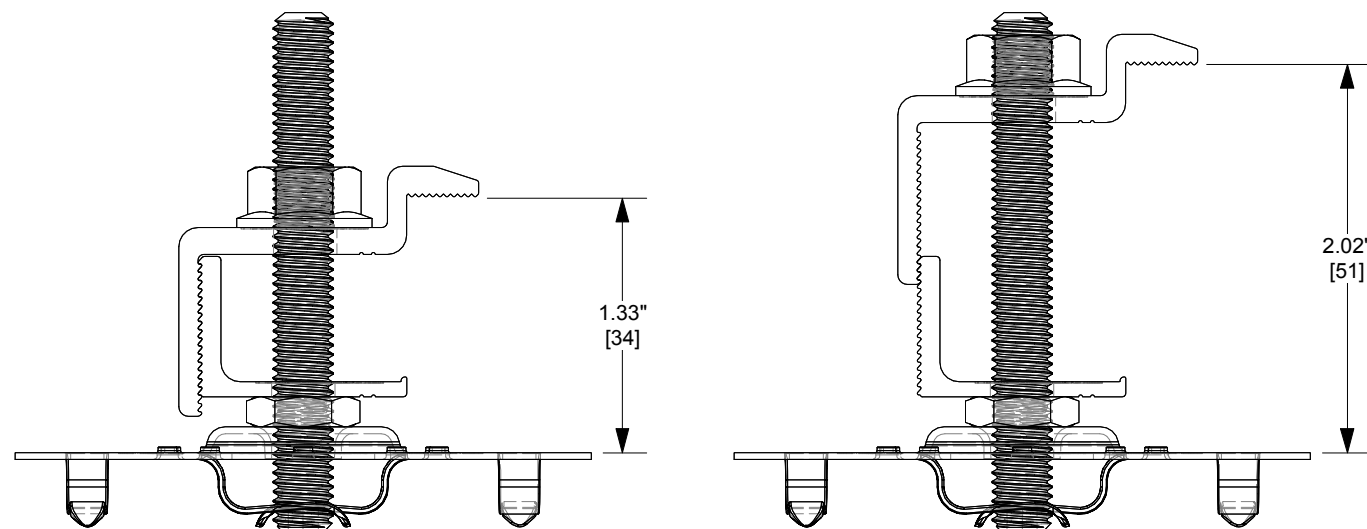
M8 HEX FLANGE NUT  
300 SERIES STAINLESS




DETAILS	HEAD DIA.	HEAD HI	WIDTH ACROSS CORNERS	MAJOR DIA.	MAJOR DIA.	J	K	PITCH
SIZE	A	H	W min.	F	D	J	K	P
M8	12.75 13.00	3.67 3.97	14.38	6.272 6.438	7.760 7.972	13.60 13.77	67.82 68.50	1.25

UNIVERSAL PV STUD  
300 SERIES STAINLESS

EDGE ASSEMBLY CONFIGURATION (34MM - 51MM)



MATERIAL:	 METAL ROOF INNOVATIONS, LTD. 8655 TABLE BUTTE RD COLORADO SPRINGS, CO 80908 719-495-0518 719-495-0045 (FAX)		
EST ASSEMBLY WEIGHT :			
SUPPLIED HARDWARE:	TITLE		
SCALE:	S-5! UNIVERSAL EDGE CONDITION		
OTHER:	DRAWING NO.	DRAWN BY	DATE
	ETP28-B-0-A_ELR27-B-0-A CCD	DMMH	09/15/2012
S-5!® PRODUCTS ARE PROTECTED BY MULTIPLE U.S. PATENTS INCLUDING 5,228,248, 5,983,588 AND 6,164,033 (OTHERS ISSUED AND PENDING). EUROPEAN PATENTS ARE ALSO APPLIED FOR AND PENDING UNDER THE PATENT COOPERATION TREATY WITH DIVISIONAL FILING RIGHTS RETAINED. METAL ROOF INNOVATIONS, LTD. (LICENSOR OF S-5!® TECHNOLOGY) AGGRESSIVELY PROSECUTES PATENT INFRINGEMENT.			