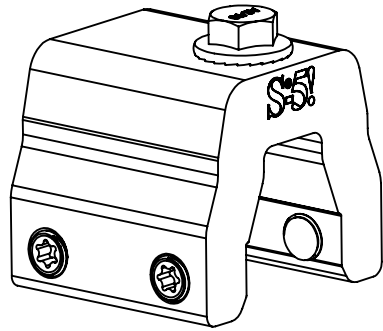
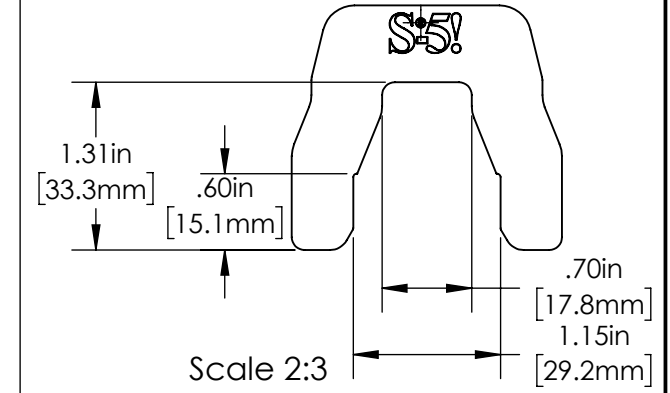
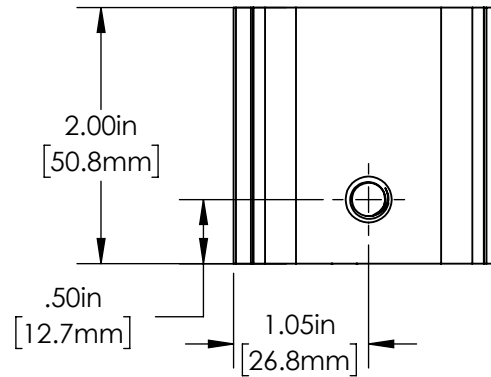


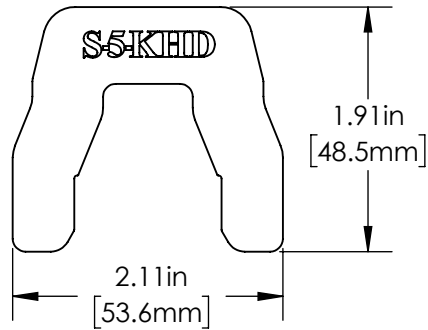
S-5-KHD



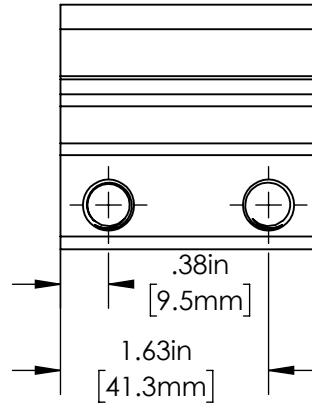
Top



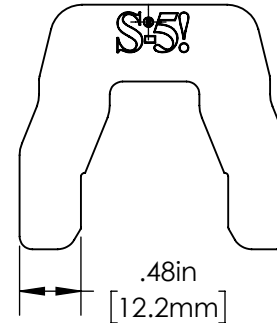
Back



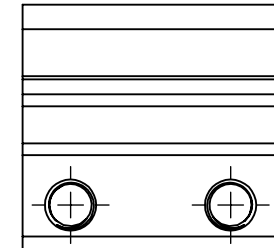
Left



Front

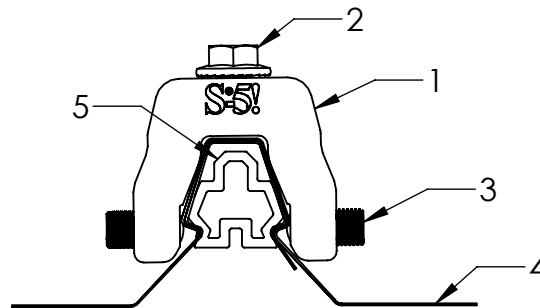


Right



General Notes:

1. S-5-KHD Clamp
2. M8-1.25 Stainless Steel Hex Flange Bolt (13mm Socket)
3. 3/8-24 Stainless Steel Round Point Setscrew (T30 Torx Drive)
4. Example roof
5. S-5-KHD Insert (Available in both 3" and 6" lengths)



FOR STANDING SEAM SPECIFIC MECHANICAL LOAD TEST INFORMATION AND CLAMP INSTALLATION INFORMATION PLEASE VISIT: WWW.S-5.COM

MATERIAL: 6061 T6 Al			METAL ROOF INNOVATIONS, LTD. 8655 TABLE BUTTE RD COLORADO SPRINGS, CO 80908 719-495-0518 719-495-0045(FAX)	
EST ASSEMBLY WEIGHT: 0.535 lbs [0.243 kg]				
SUPPLIED HARDWARE: M8-1.25 x 1.6 mm Bolt (4x) 3/8-24 x .500" Setscrews	TITLE S-5-KHD [CCD]			
SCALE: 2:3	DRAWING NO. KHD74-A-8-C	DRAWN BY JW	DATE 08/17/2020	
EST. WEIGHT: Clamp: 0.432 lbs [0.196 kg] Bolt: 0.035 lbs [0.016 kg] Setscrew: .017 lbs [0.008 kg]	S-5!® PRODUCTS ARE PROTECTED BY MULTIPLE U.S. AND FOREIGN PATENTS. VISIT OUR WEBSITE AT WWW.S-5.COM FOR COMPLETE INFORMATION ON PATENTS AND TRADEMARKS.			