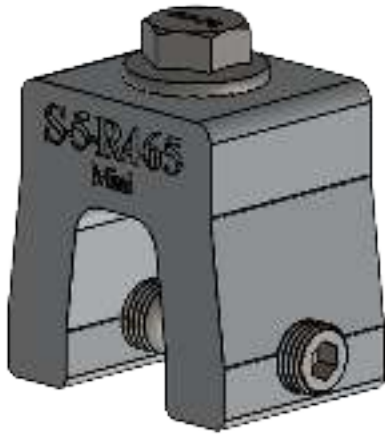
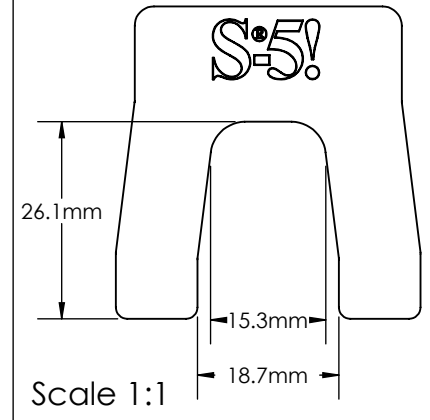
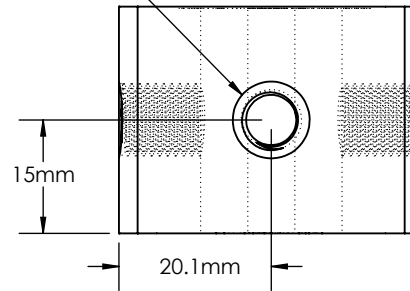


S-5-R465 Mini

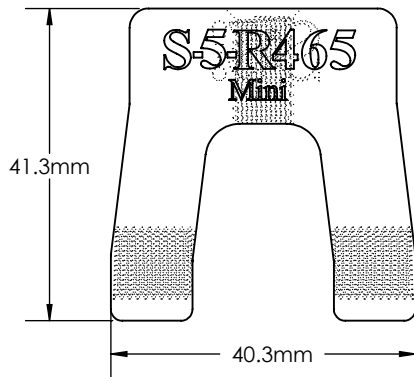


M8-1.25 THREADED HOLE

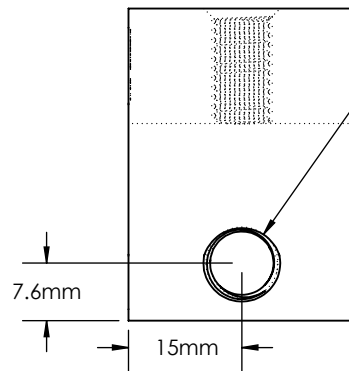
Top



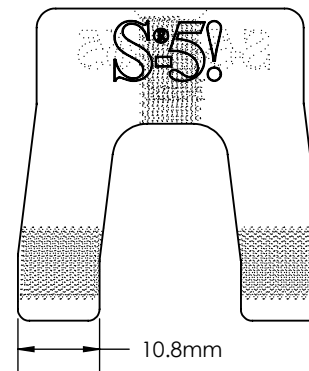
Back



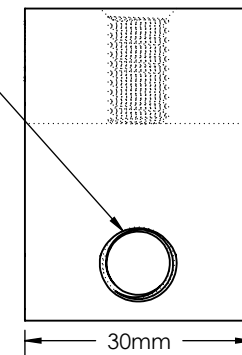
Left



Front



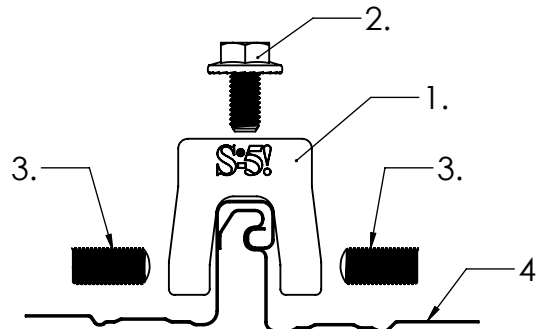
Right



(2X) 3/8-24 Threaded Holes

General Notes:

1. S-5-R465 Mini Clamp
2. M8-1.25 Stainless Steel Hex Flange Bolt (13mm Socket)
3. 3/8-24 Stainless Steel Round Point Setscrew (3/16 Hex Drive)
4. Example Roof



FOR STANDING SEAM SPECIFIC MECHANICAL LOAD TEST INFORMATION AND CLAMP INSTALLATION INFORMATION PLEASE VISIT: WWW.S-5.COM

MATERIAL: 6061 T6 Al	 METAL ROOF INNOVATIONS, LTD. 8655 TABLE BUTTE RD COLORADO SPRINGS, CO 80908 719-495-0518 719-495-0045(FAX)		
EST ASSEMBLY WEIGHT: 115.1 g			
SUPPLIED HARDWARE: M8-1.25 x 16 mm Bolt (2X) 3/8-24 x .800" Setscrews	TITLE S-5-R465 Mini		
SCALE: 1:1	DRAWING NO. RR465-A-1-C	DRAWN BY Paul Leitch	DATE 5/22/2017
EST. WEIGHT: Clamp: 84.03 g Setscrew: 7.71 g Bolt: 15.65 g	S-5!® PRODUCTS ARE PROTECTED BY MULTIPLE U.S. AND FOREIGN PATENTS. VISIT OUR WEBSITE AT WWW.S-5.COM FOR COMPLETE INFORMATION ON PATENTS AND TRADEMARKS.		