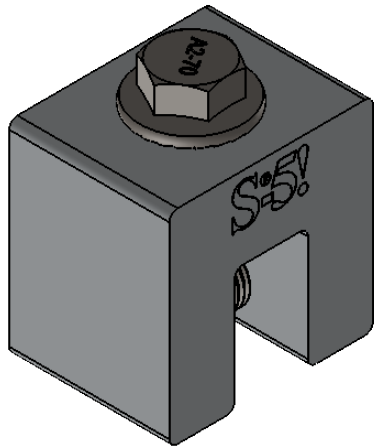
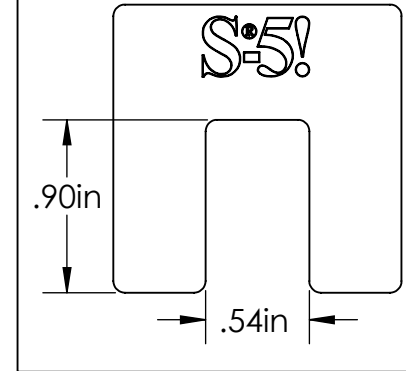
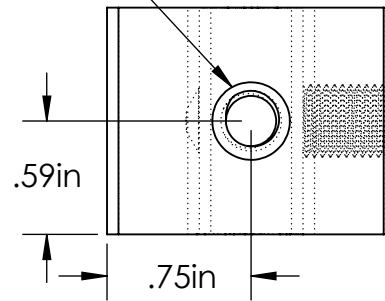


S-5-S Mini

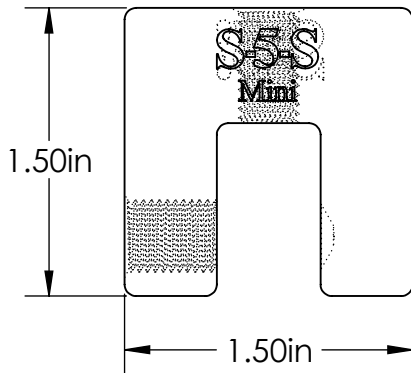


M8-1.25 Threaded Hole

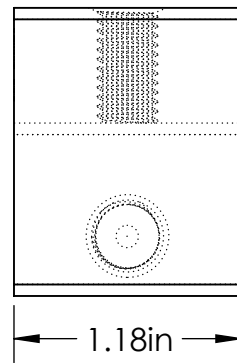
Top



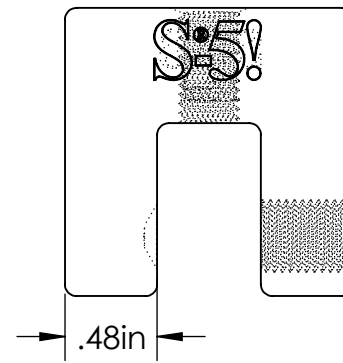
Back



Left

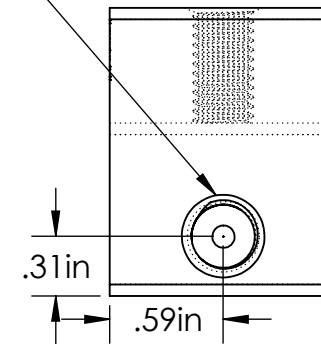


Front



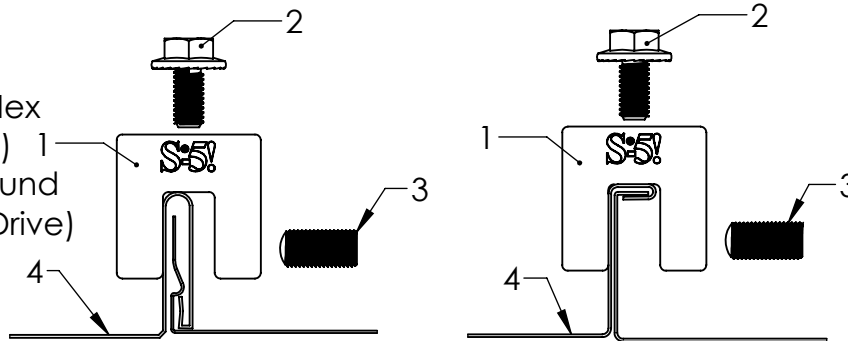
3/8-24 Threaded Hole

Right



General Notes:

1. S-5-S Mini Clamp
2. M8-1.25 Stainless Steel Hex Flange Bolt (13mm Socket)
3. 3/8-24 Stainless Steel Round Point Setscrew (3/16 Hex Drive)
4. Example roof



FOR STANDING SEAM SPECIFIC MECHANICAL LOAD TEST INFORMATION AND CLAMP INSTALLATION INFORMATION PLEASE VISIT: WWW.S-5.COM

MATERIAL: 6061 T6 Al		 METAL ROOF INNOVATIONS, LTD. 8655 TABLE BUTTE RD COLORADO SPRINGS, CO 80908 719-495-0518 719-495-0045(FAX)	
EST ASSEMBLY WEIGHT: 0.244 lbs			
SUPPLIED HARDWARE: M8-1.25 x 16 mm Bolt 3/8-24 x .800" Setscrew		TITLE S-5-S Mini	
SCALE: 1:1	DRAWING NO. S08-A-1-D	DRAWN BY Kati Kadakas	DATE 10/12/2017
EST. WEIGHT: Clamp: 0.1925 lbs Setscrew: 0.0170 lbs Bolt: 0.0345 lbs		S-5® PRODUCTS ARE PROTECTED BY MULTIPLE U.S. AND FOREIGN PATENTS. VISIT OUR WEBSITE AT WWW.S-5.COM FOR COMPLETE INFORMATION ON PATENTS AND TRADEMARKS.	