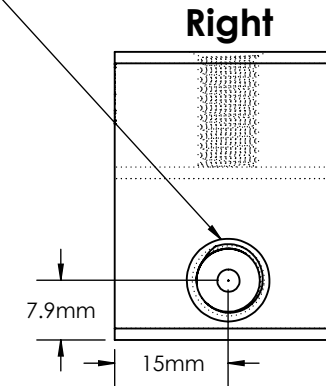
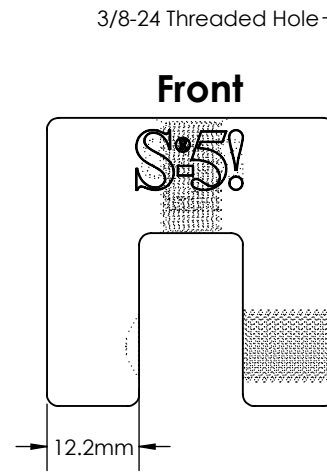
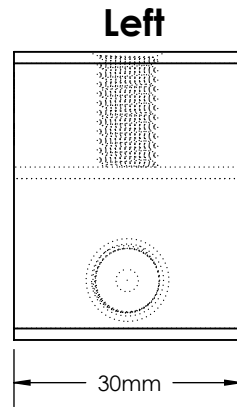
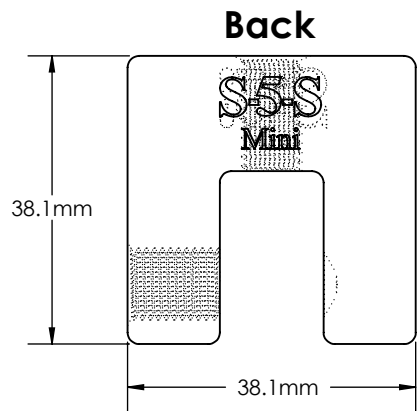
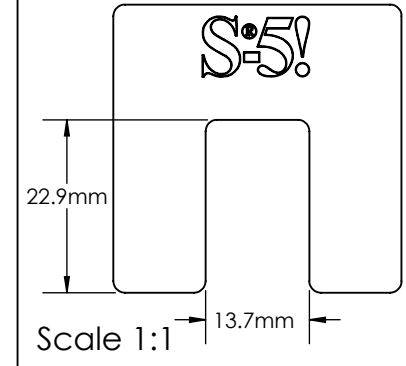
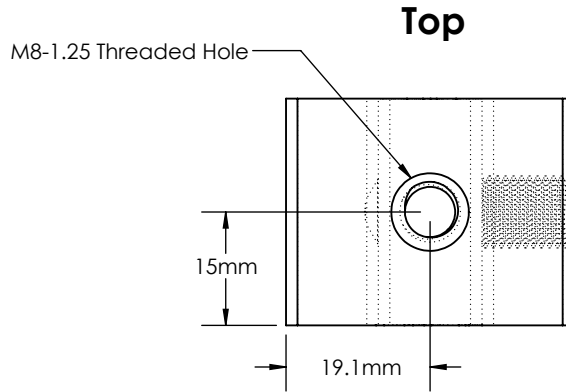
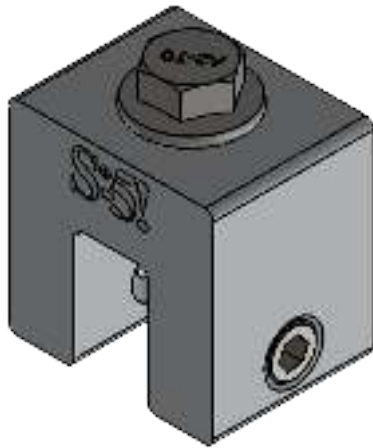
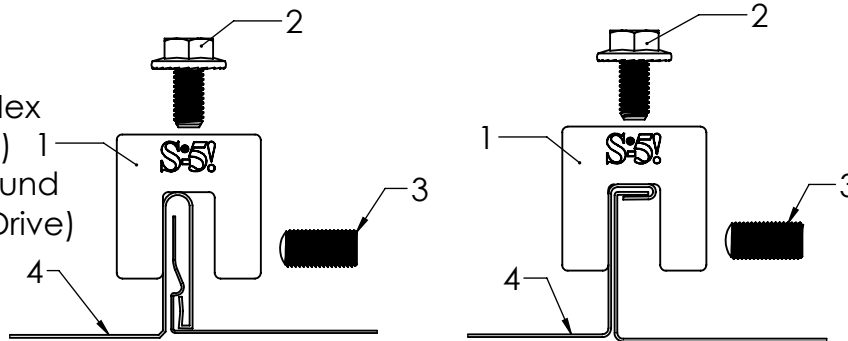


# S-5-S Mini



## General Notes:

1. S-5-S Mini Clamp
2. M8-1.25 Stainless Steel Hex Flange Bolt (13mm Socket)
3. 3/8-24 Stainless Steel Round Point Setscrew (3/16 Hex Drive)
4. Example roof



**FOR STANDING SEAM SPECIFIC MECHANICAL LOAD TEST INFORMATION AND CLAMP INSTALLATION INFORMATION PLEASE VISIT: [WWW.S-5.COM](http://WWW.S-5.COM)**

<b>MATERIAL:</b> 6061 T6 Al		 METAL ROOF INNOVATIONS, LTD. 8655 TABLE BUTTE RD COLORADO SPRINGS, CO 80908 719-495-0518 719-495-0045(FAX)	
<b>EST ASSEMBLY WEIGHT:</b> 110.68 g			
<b>SUPPLIED HARDWARE:</b> M8-1.25 x 16 mm Bolt 3/8-24 x .800" Setscrew		<b>TITLE</b> S-5-S Mini	
<b>SCALE:</b> 1:1	<b>DRAWING NO.</b> S08-A-1-D	<b>DRAWN BY</b> Kati Kadakas	<b>DATE</b> 10/12/2017
<b>EST. WEIGHT:</b> Clamp: 87.32 g Setscrew: 7.71 g Bolt: 15.65 g		S-5!® PRODUCTS ARE PROTECTED BY MULTIPLE U.S. AND FOREIGN PATENTS. VISIT OUR WEBSITE AT <a href="http://WWW.S-5.COM">WWW.S-5.COM</a> FOR COMPLETE INFORMATION ON PATENTS AND TRADEMARKS.	