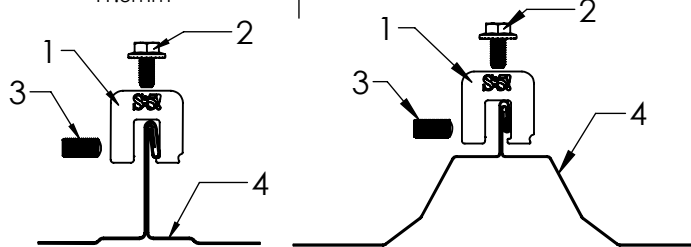
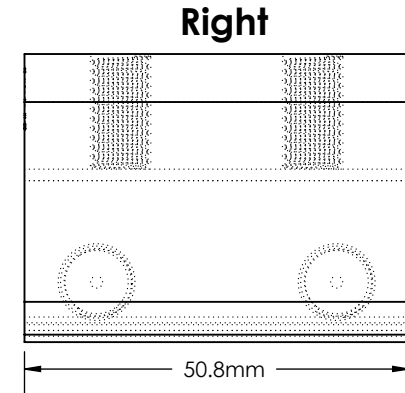
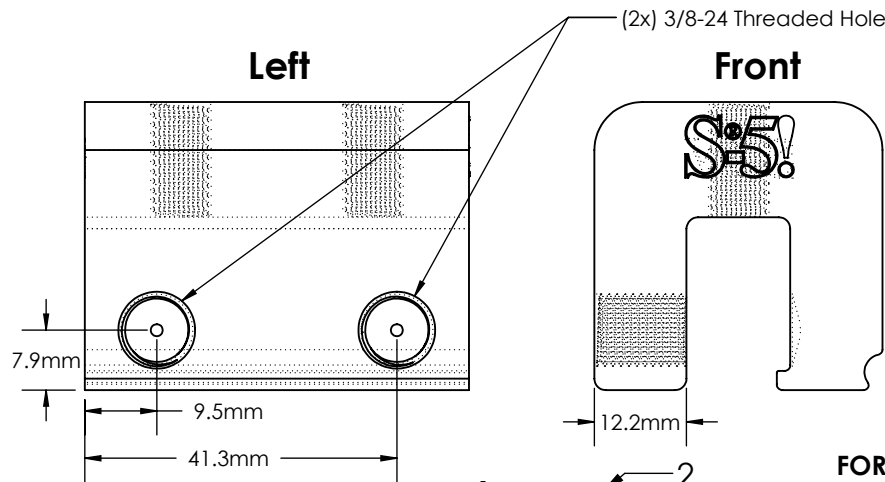
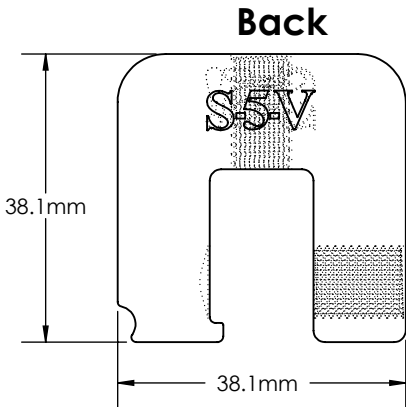
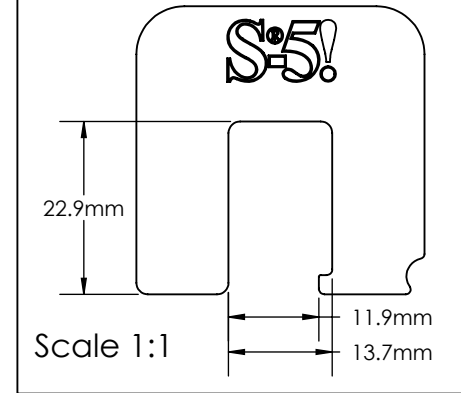
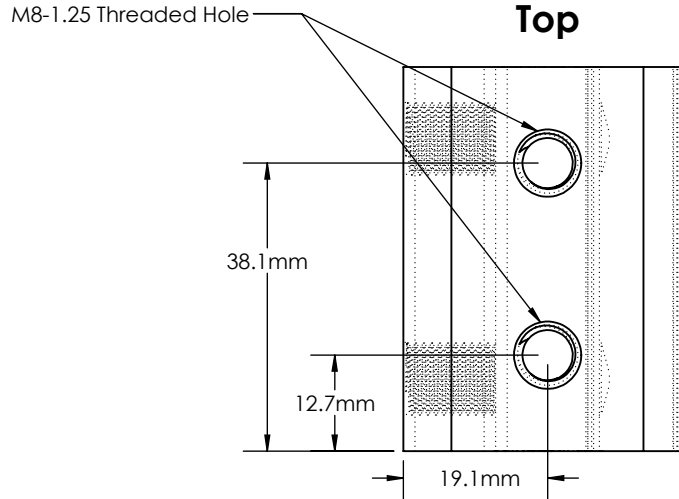
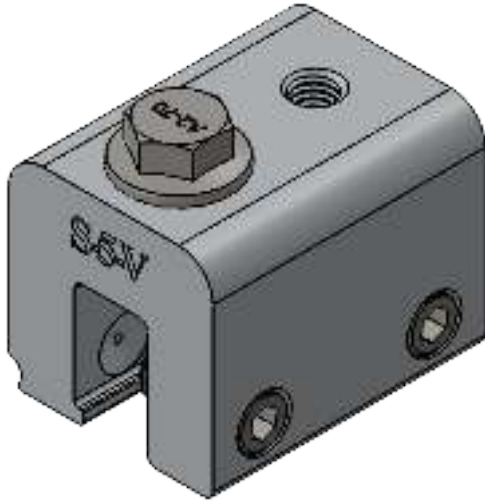


S-5-V



FOR STANDING SEAM SPECIFIC MECHANICAL LOAD TEST INFORMATION AND CLAMP INSTALLATION INFORMATION PLEASE VISIT: WWW.S-5.COM

General Notes:

1. S-5-V Clamp
2. M8-1.25 SS Hex Flange Bolt (13mm Socket)
3. 3/8-24 SS Round Point Setscrew (3/16 Hex Drive)
4. Example roof

MATERIAL: 6061 T6 Al			METAL ROOF INNOVATIONS, LTD. 8655 TABLE BUTTE RD COLORADO SPRINGS, CO 80908 719-495-0518 719-495-0045(FAX)	
EST ASSEMBLY WEIGHT: 173.04 g			TITLE S-5-V	
SUPPLIED HARDWARE: M8-1.25 x 1.6 mm Bolt (2x) 3/8-24 x .800" Setscrews		SCALE: 1:1		
EST. WEIGHTS: Clamp: 141.97 g Setscrew: 7.71 g Bolt: 15.65 g		DRAWING NO. V07-A-0-D	DRAWN BY Kati Kadakas	DATE 4/11/2016
S-5!® PRODUCTS ARE PROTECTED BY MULTIPLE U.S. AND FOREIGN PATENTS. VISIT OUR WEBSITE AT WWW.S-5.COM FOR COMPLETE INFORMATION ON PATENTS AND TRADEMARKS.				