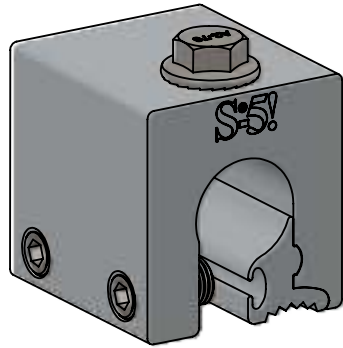
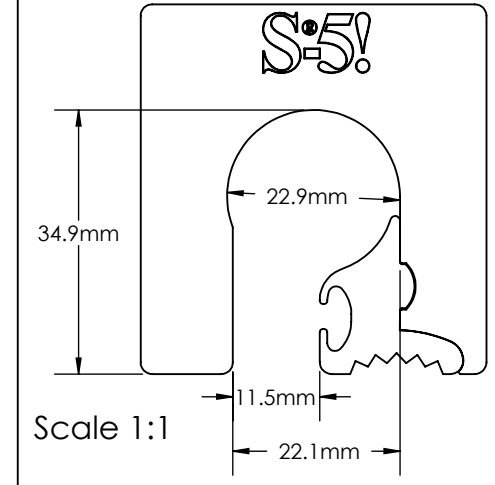
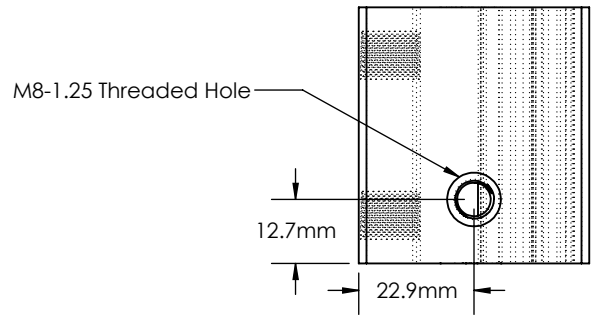


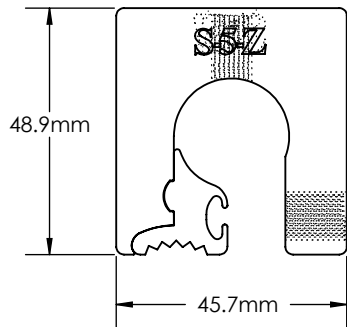
# S-5-Z



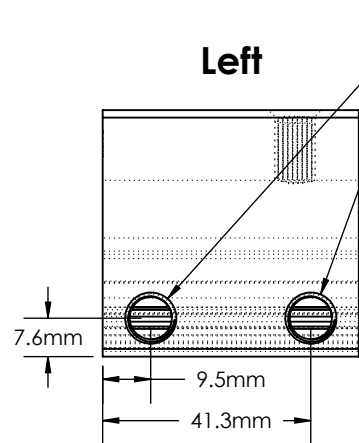
Top



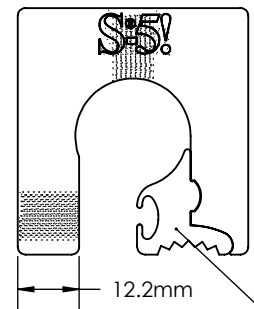
Back



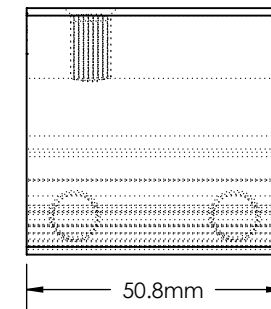
Left



Front

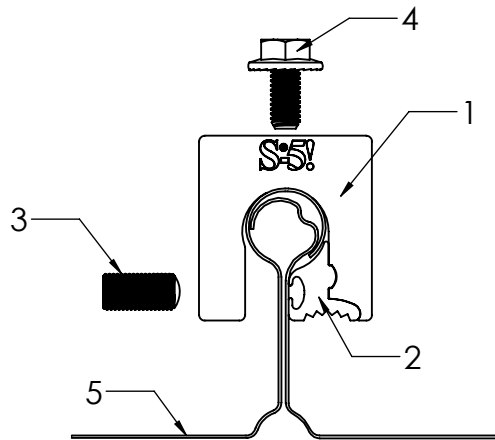


Right



**General Notes:**

1. S-5-Z Clamp
2. S-5-Z Insert
3. 3/8-24 SS Round Point Setscrew (3/16 Hex Drive)
4. M8-1.25 SS Hex Flange Bolt (13mm Socket)
5. Example Roof



**FOR STANDING SEAM SPECIFIC MECHANICAL LOAD TEST INFORMATION AND CLAMP INSTALLATION INFORMATION PLEASE VISIT: [WWW.S-5.COM](http://WWW.S-5.COM)**

MATERIAL: 6061 T6 Al		 METAL ROOF INNOVATIONS, LTD. 8655 TABLE BUTTE RD COLORADO SPRINGS, CO 80908 719-495-0518 719-495-0045(FAX)	
EST ASSEMBLY WEIGHT: 243.13 g			
SUPPLIED HARDWARE: M8-1.25 x 16 mm Bolt (2x) 3/8-24 x .800" Setscrews		TITLE S-5-Z	
SCALE: 1:1.5	DRAWING NO. Z12-A-8-C	DRAWN BY Kati Kadakas	DATE 4/12/2016
EST. WEIGHT: Clamp: 189.15 g Insert: 22.91 g Setscrew: 7.71 g Bolt: 15.65 g		S-5!® PRODUCTS ARE PROTECTED BY MULTIPLE U.S. AND FOREIGN PATENTS. VISIT OUR WEBSITE AT <a href="http://WWW.S-5.COM">WWW.S-5.COM</a> FOR COMPLETE INFORMATION ON PATENTS AND TRADEMARKS.	