

The right way to attach almost anything to metal roofs!

S-5![®]

The Right Way!

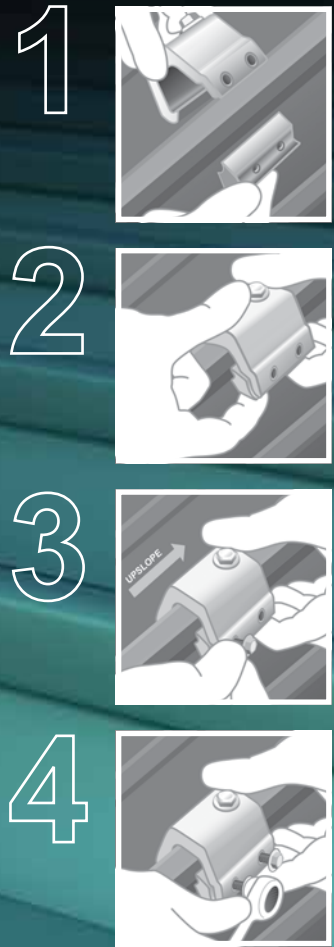
S-5-K Grip Snow Clamp

The S-5-K Grip Snow clamp was specifically developed to fit Klip-Rib[®] and other bulb snap-together seams. The design utilizes multiple inserts (sold separately) in order to accommodate a variety of bulb snap-together profiles. Each insert has a unique shape that allows for a tight fit and provides increased holding strength over other attachment options. This product is designed and tested to work with ColorGard[®].

The S-5-K Grip Snow also eliminates the large moment arm other clamps use for these profiles. Instead, it features a low mounting surface area, with the mounting bolt directly over the center of the seam. This dramatically increases the strength of the clamp, making it perfect for use with heavy-duty applications.

The head of the flanged bolts control the amount of compression, which reduces the possibility of over-compressing the seam, and makes installation a snap!

Just place the clamp on the seam, position the insert piece, and tighten the flanged bolts at the base. Then, affix ancillary items using the top bolt provided. Go to: www.S-5.com/tools for information about properly attaching S-5![®] clamps.



The S-5-K Grip Snow was specifically developed to attach ColorGard[®] snow retention system to Klip-Rib[®] and other bulb snap-together seams.

S-5-K Grip Snow



www.S-5.com

888-825-3432

S-5![®]

The Right Way!

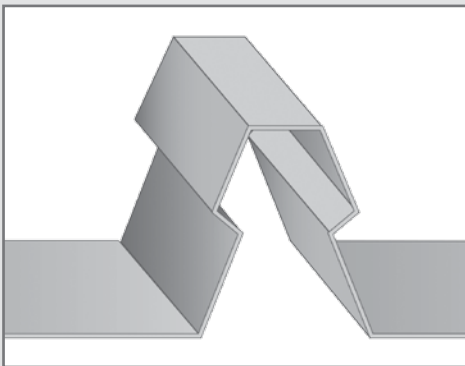
The S-5-K Grip Snow eliminates the large moment arm and features a low mounting surface area with the mounting bolt directly over the center of the seam, which dramatically increases the strength of the clamp.

The S-5-K Grip Snow clamp is furnished with the hardware shown to the right. The clamp is provided with an M8-1.25 X 16.00 mm Hex Flange Bolt. A structural aluminum attachment clamp, the S-5-K Grip Snow is compatible with most common metal roofing materials excluding copper and is designed to accommodate the S-5![®] ColorGard[®] snow retention system. All included hardware is stainless steel. Please visit www.S-5.com for more information including CAD details, metallurgical compatibilities, and specifications.

The S-5-K Grip Snow clamp has been tested for load-to-failure results on a variety of standing seam roof profiles from leading panel manufacturers. When placed near a clip location, the S-5-K Grip Snow achieves unsurpassed holding strength, dramatically reducing the need for multiple rows of snow retention in regions with heavy snow loads. The independent lab test reports found on our website at www.S-5.com prove that S-5![®] holding strength is unmatched in the industry.

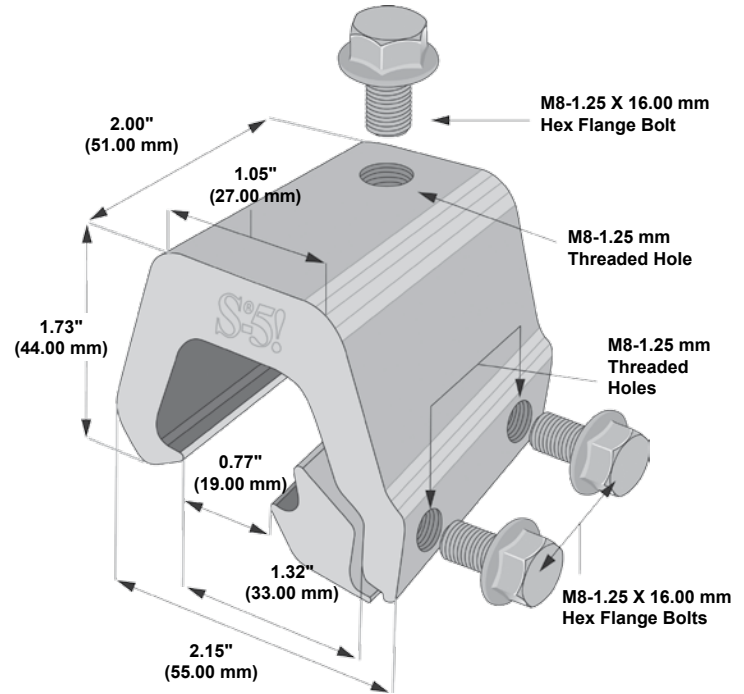
An S-5-K Grip clamp compatible with an M10-1.5 X 16.00 mm Hex Flange Bolt is available upon request for an additional up charge.

Example Profile

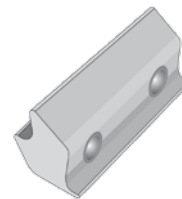


S-5-K Grip Snow

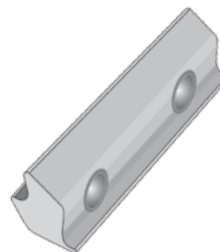
(With S-5-GX 10 Insert)



Insert Options



S-5-GX 10 Insert



S-5-GX 50 Insert

Profiles

S-5-GX 10

- LYSAGHT KLIP-LOK[®] 406
- McElroy Metal Mirage
- AEP Span Klip-Rib[®]
- Metal Sales Clip-Loc
- SpeedDeck[®] SpeedDeck[®]
- Safintra Saflok 410
- Safintra Saflok 700
- And other similar profiles

S-5-GX 50

- LYSAGHT KLIP-LOK Classic[®] 700
- LYSAGHT KLIP-LOK 700 Hi-Strength[®]
- Stramit Speed Deck Ultra[®]
- Fielders KingKlip[®] 700
- And other similar profiles

If you have a profile not listed here, please contact S-5! to request a sample for testing.

S-5![®] Warning! Please use this product responsibly!

Products are protected by multiple U.S. and foreign patents. For published data regarding holding strength, fastener torque, patents, and trademarks, visit the S-5! website at www.S-5.com.

Copyright 2015, Metal Roof Innovations, Ltd.
S-5! aggressively protects its patents, trademarks, and copyrights. Version 052115.

Distributed by