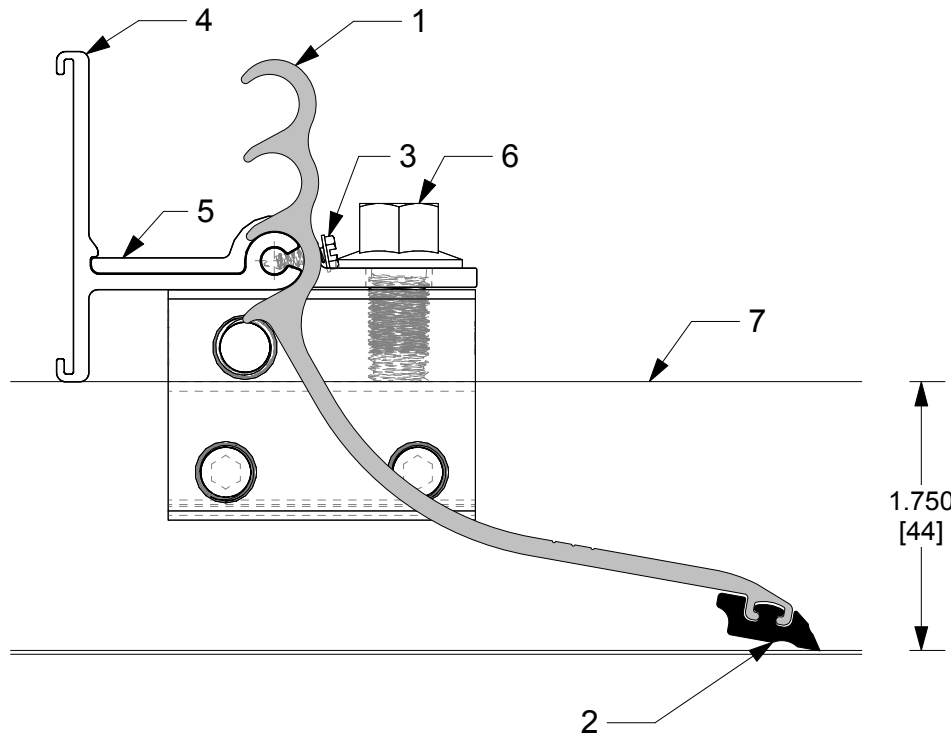
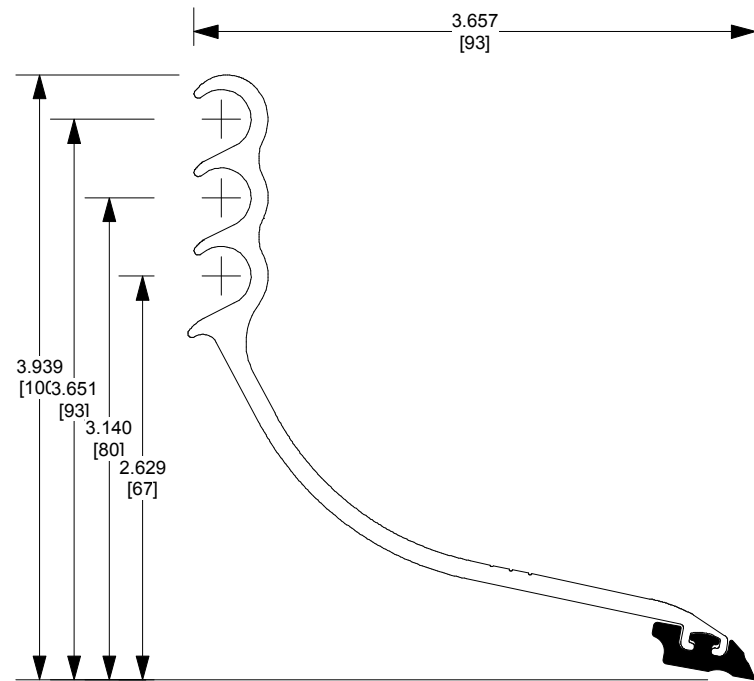
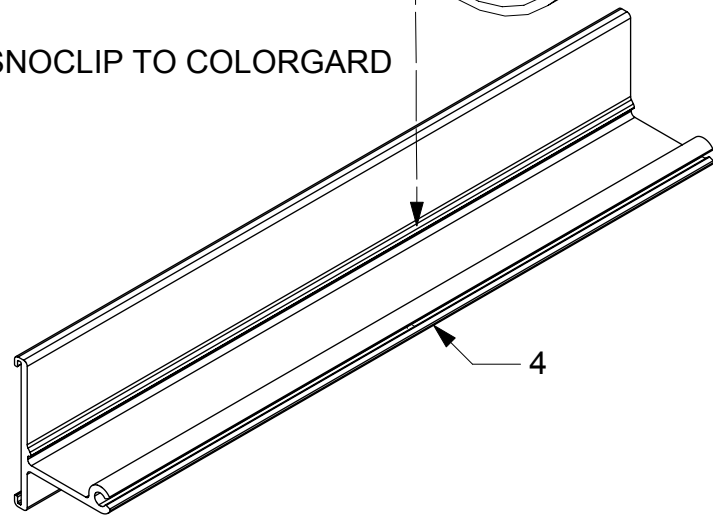
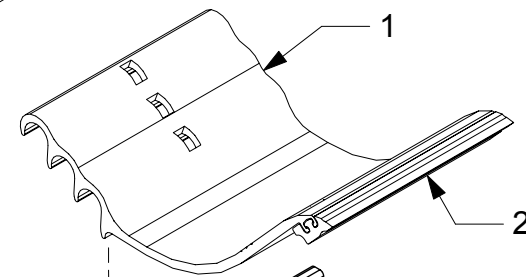
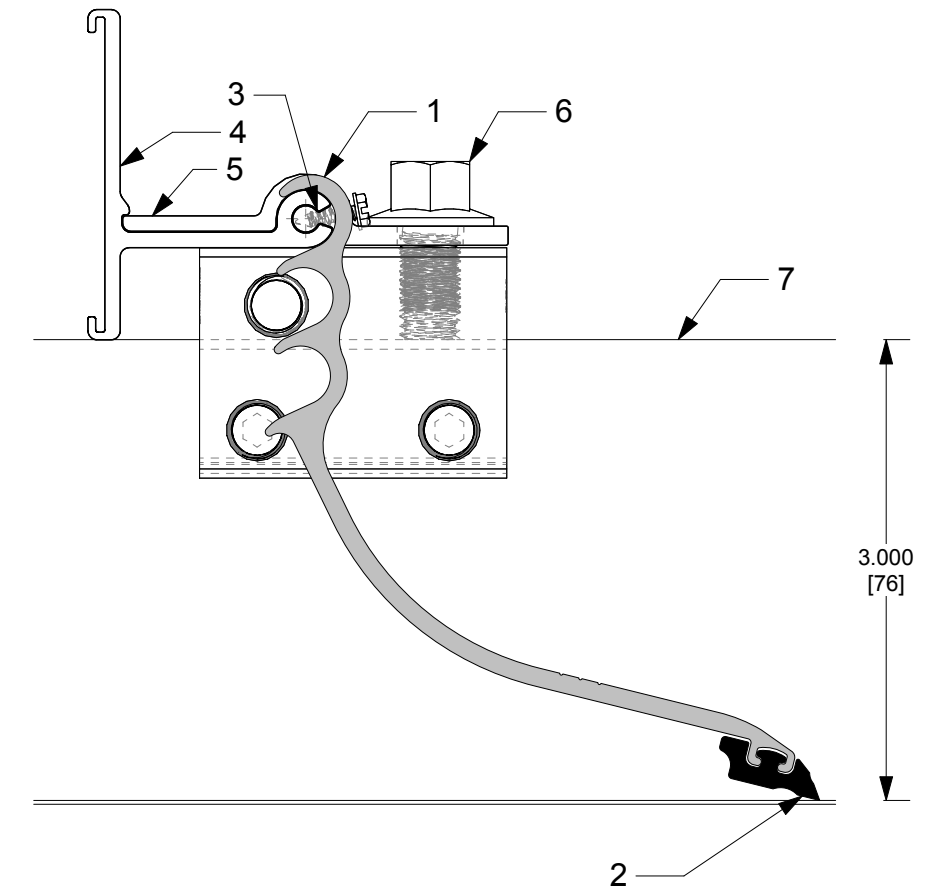
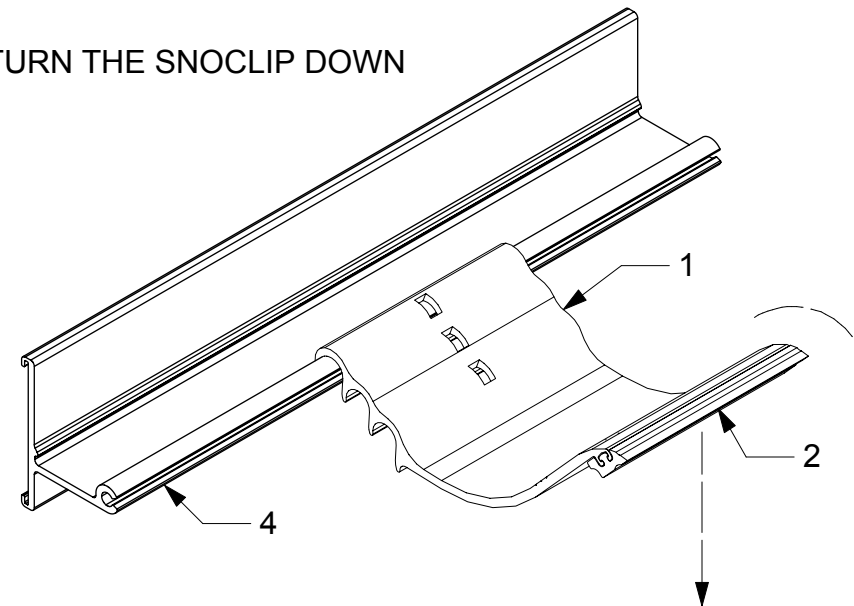


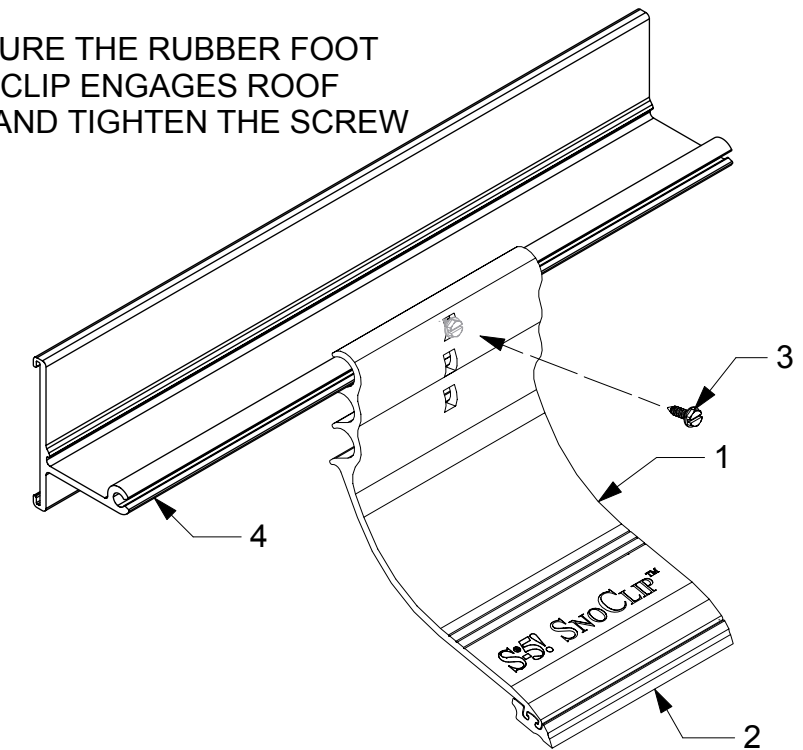
1. SNAP THE SNOCLIP TO COLORGARD



2. TURN THE SNOCLIP DOWN



3. MAKE SURE THE RUBBER FOOT OF SNOCLIP ENGAGES ROOF PANEL AND TIGHTEN THE SCREW



Notes

1. SNS SNOCLIP III
2. RUBBER FOOT TOE
3. M4 x 9.5 MM STAINLESS SELF-TAPPING SCREW
4. COLORGARD CROSSMEMBER
5. VERSACLIP
6. M10 STAINLESS HEX FLANGE BOLT
7. TOP OF THE SEAM

MATERIAL: 6000 SERIES AL	 The Right Way!	METAL ROOF INNOVATIONS, LTD. 8655 TABLE BUTTE RD COLORADO SPRINGS, CO 80908 719-495-0518 719-495-0045 (FAX)	
EST ASSEMBLY WEIGHT :			
SUPPLIED HARDWARE:	TITLE SNS SnoClip III		
SCALE: 1:2.25	DRAWING NO. SNSSC2-A-0-A [CCD] 986451	DRAWN BY MS	DATE 09/27/2013
OTHER:	<small>S-5!® PRODUCTS ARE PROTECTED BY MULTIPLE U.S. PATENTS INCLUDING 5,228,248, 5,983,588 AND 6,164,033 (OTHERS ISSUED AND PENDING). EUROPEAN PATENTS ARE ALSO APPLIED FOR AND PENDING UNDER THE PATENT COOPERATION TREATY WITH DIVISIONAL FILING RIGHTS RETAINED. METAL ROOF INNOVATIONS, LTD. (LICENSOR OF S-5!® TECHNOLOGY) AGGRESSIVELY PROSECUTES PATENT INFRINGEMENT.</small>		